

- SETTING RINGS

Application: Setting of measuring Instruments

MATERIAL

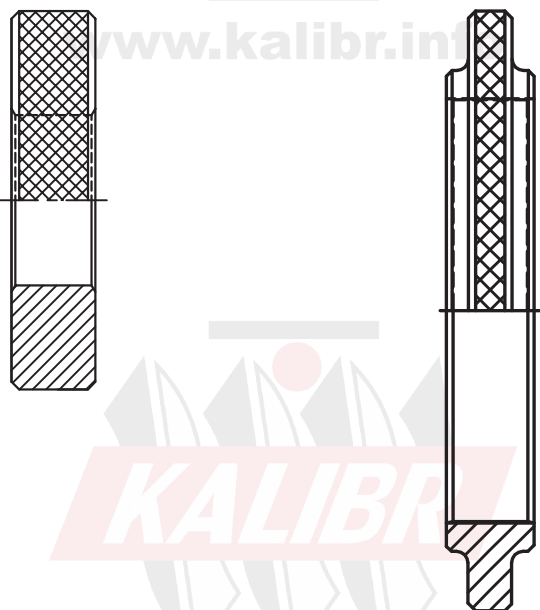
Hardened & Stabilised Steel (AISI O1/ EN 31) available in Diameter 3mm – 300mm.
Tungsten Carbide (from Dia. 4mm – 60 mm only)

- All Setting rings in steel are sub zero treated for dimensional stability.

STEEL

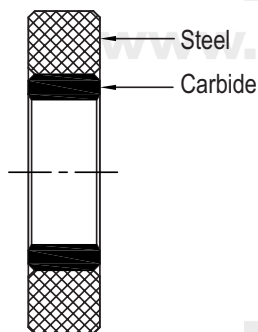
DIAMETER 3-100 MM

DIAMETER 100-300 MM



TUNGSTEN CARBIDE

DIA. 4- 60MM Only



TOLERANCE FOR SETTING RINGS.

Diameter Range In MM	Maximum permissible deviation from nominal Diameter (in micrometer) μ m	Roundness. (in micrometer) μ m
4-10	+/- 1.25	1
10-18	+/- 1.5	1
18-50	+/- 2.0	1
50-80	+/- 2.5	1
80-120	+/- 3	1
120-150	+/- 4	1
150-180	+/- 4	2
180-250	+/- 5	2
250-315	+/- 6	2

- Whenever the roundness is within above specified tolerance limit, the actual diameter is marked on the setting ring.

The actual diameter shall be within the above specified permissible deviation limit from the specified diameter value.

